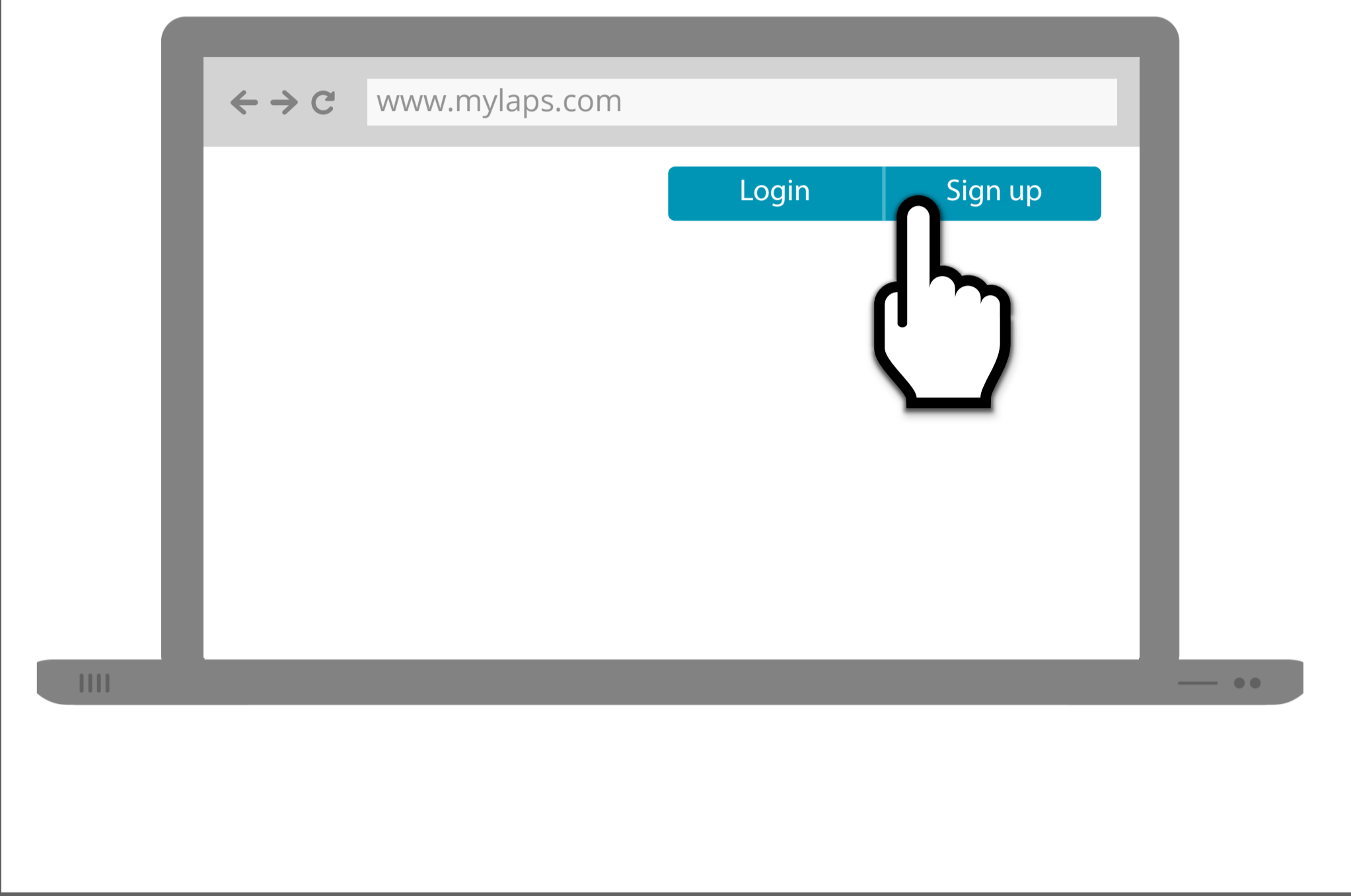


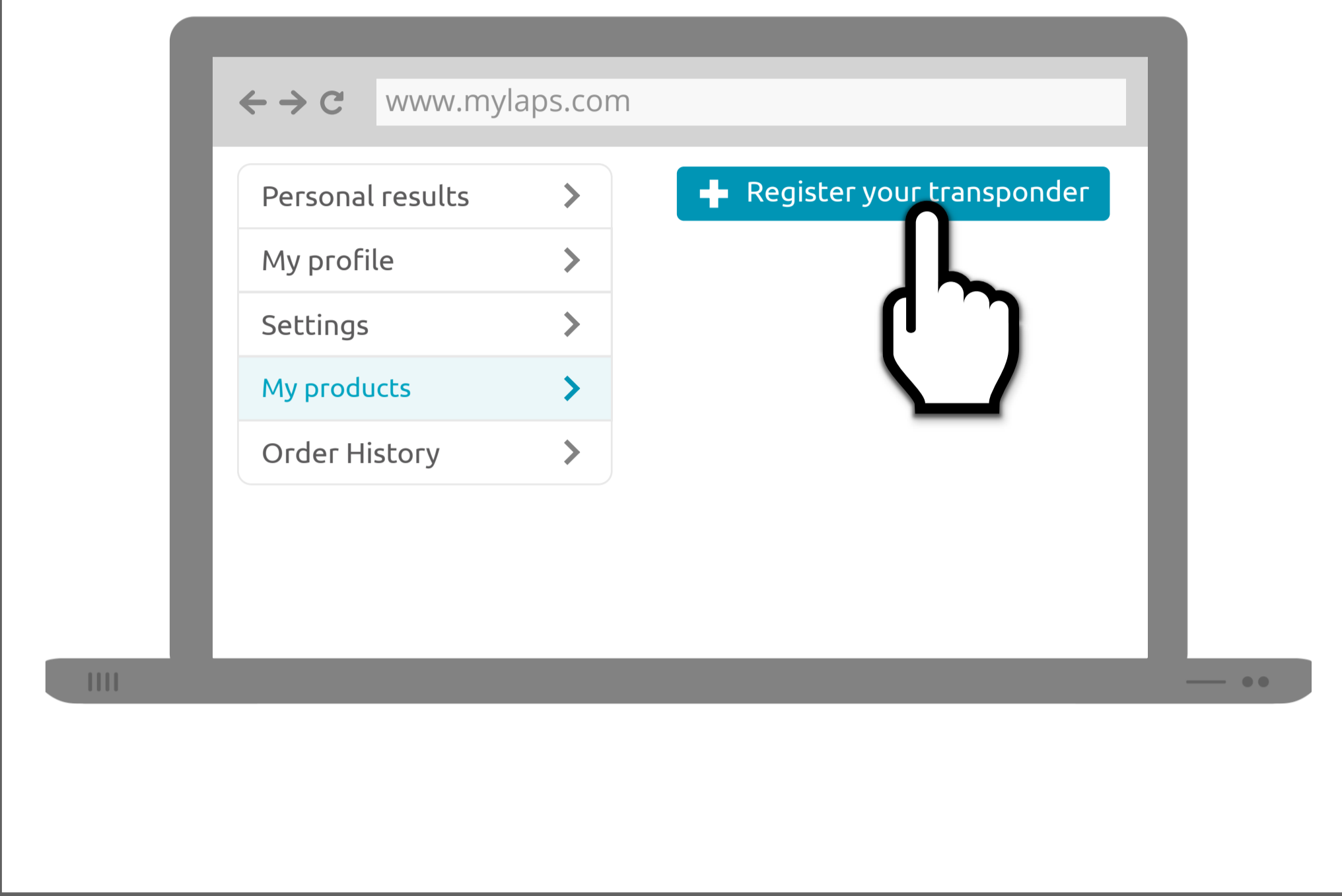
QUICK START GUIDE

X2 TRANSPONDER

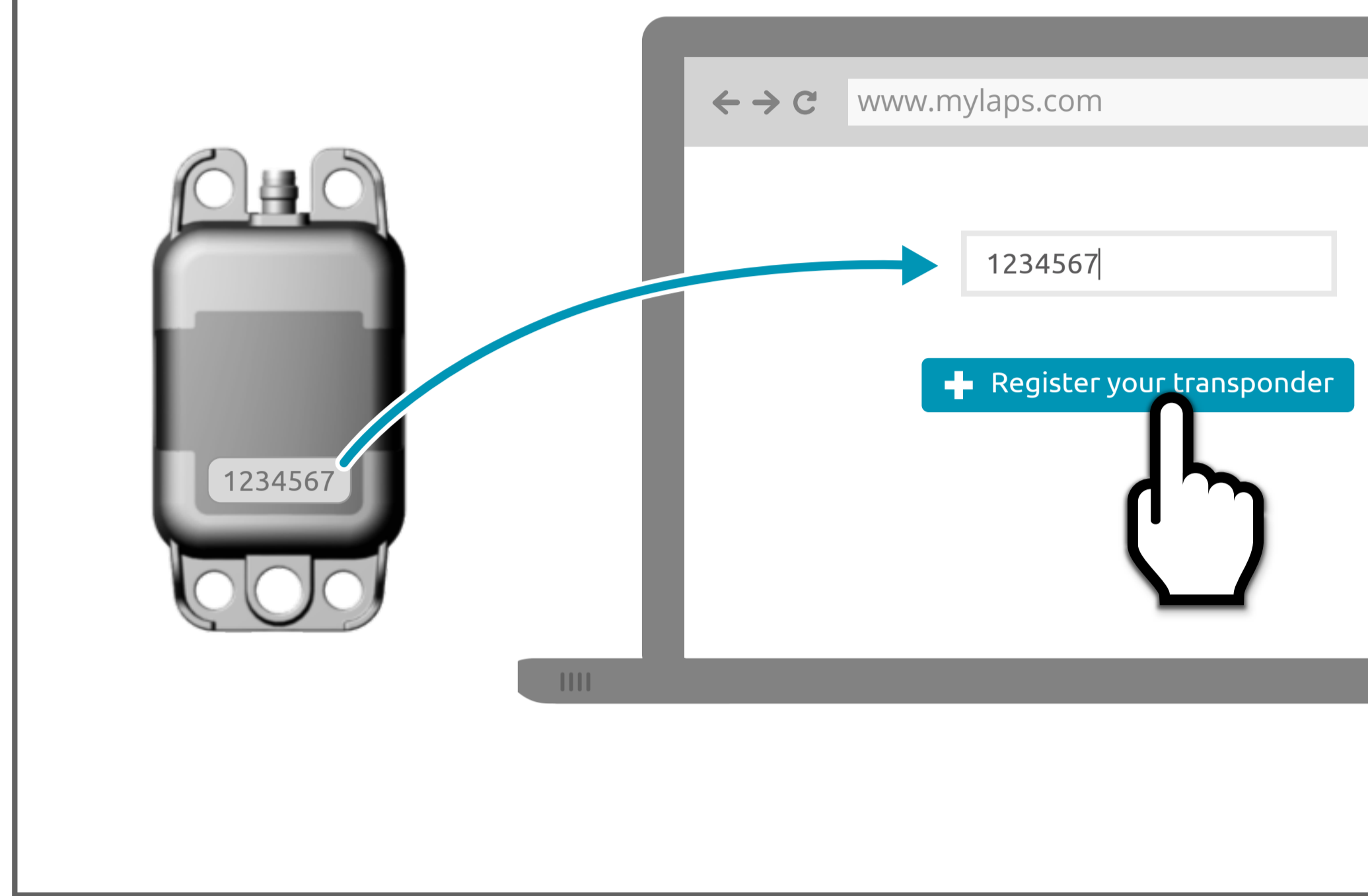
1 Login/sign up



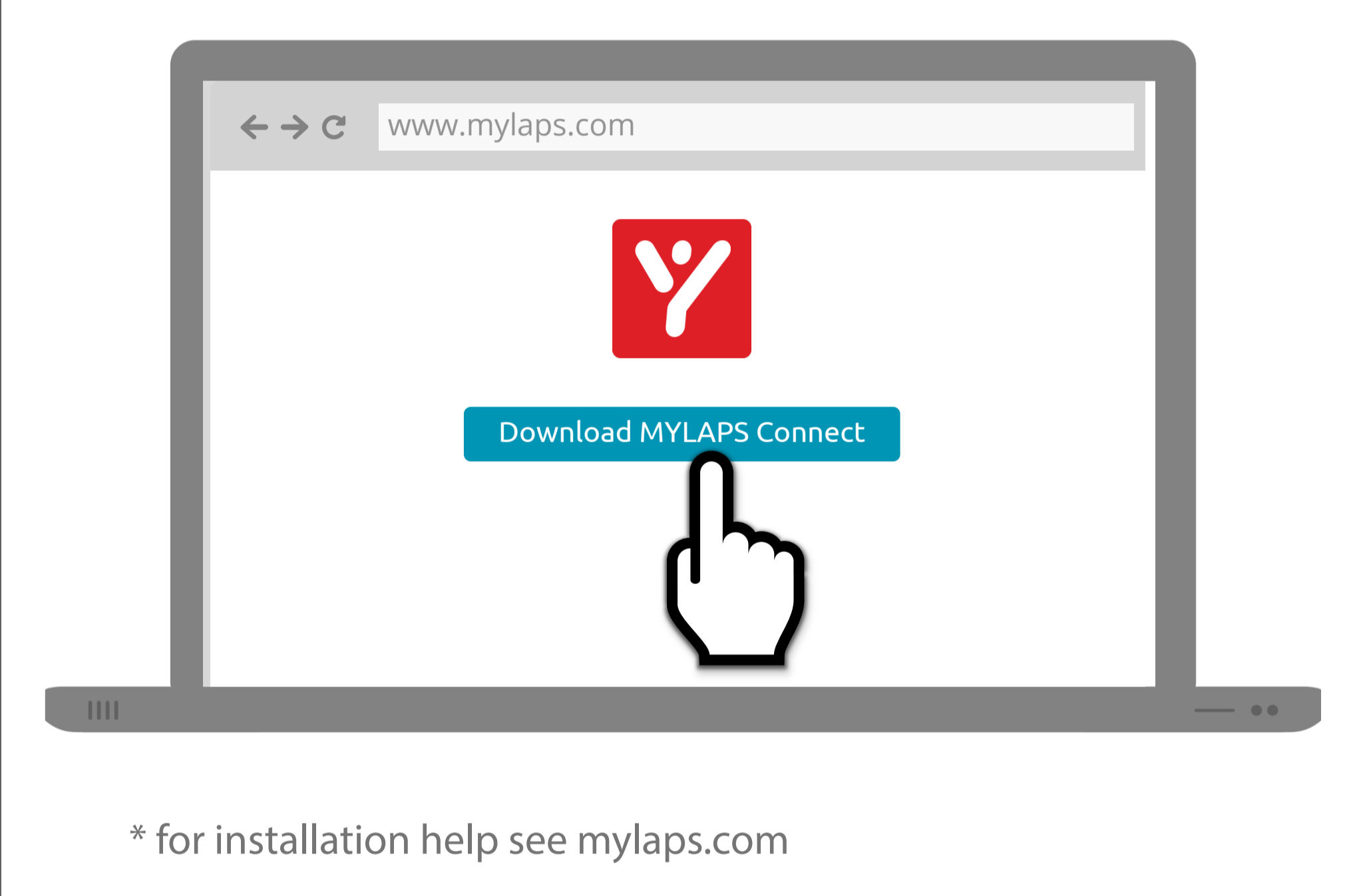
2 Register Transponder



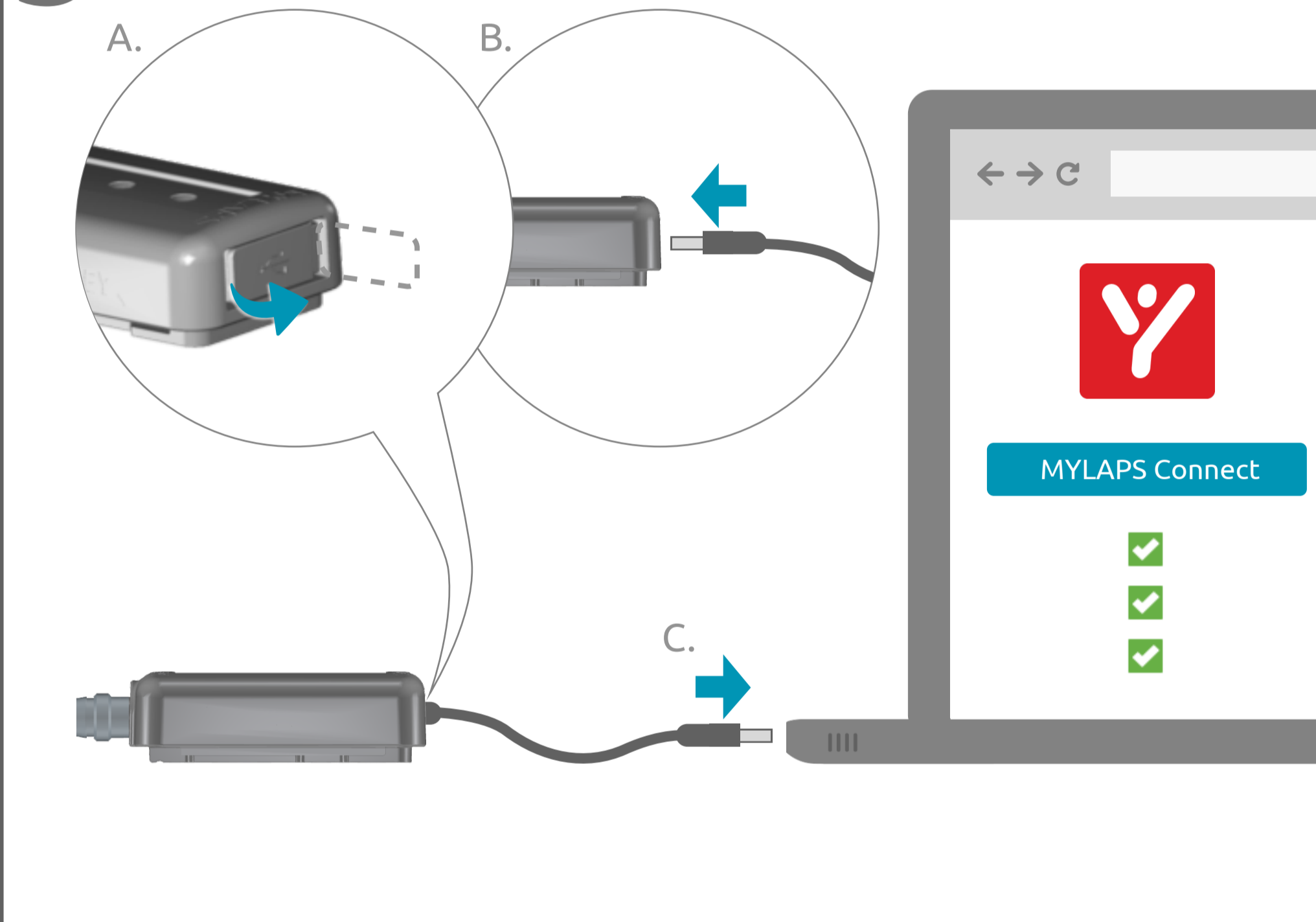
3 Enter Transponder number



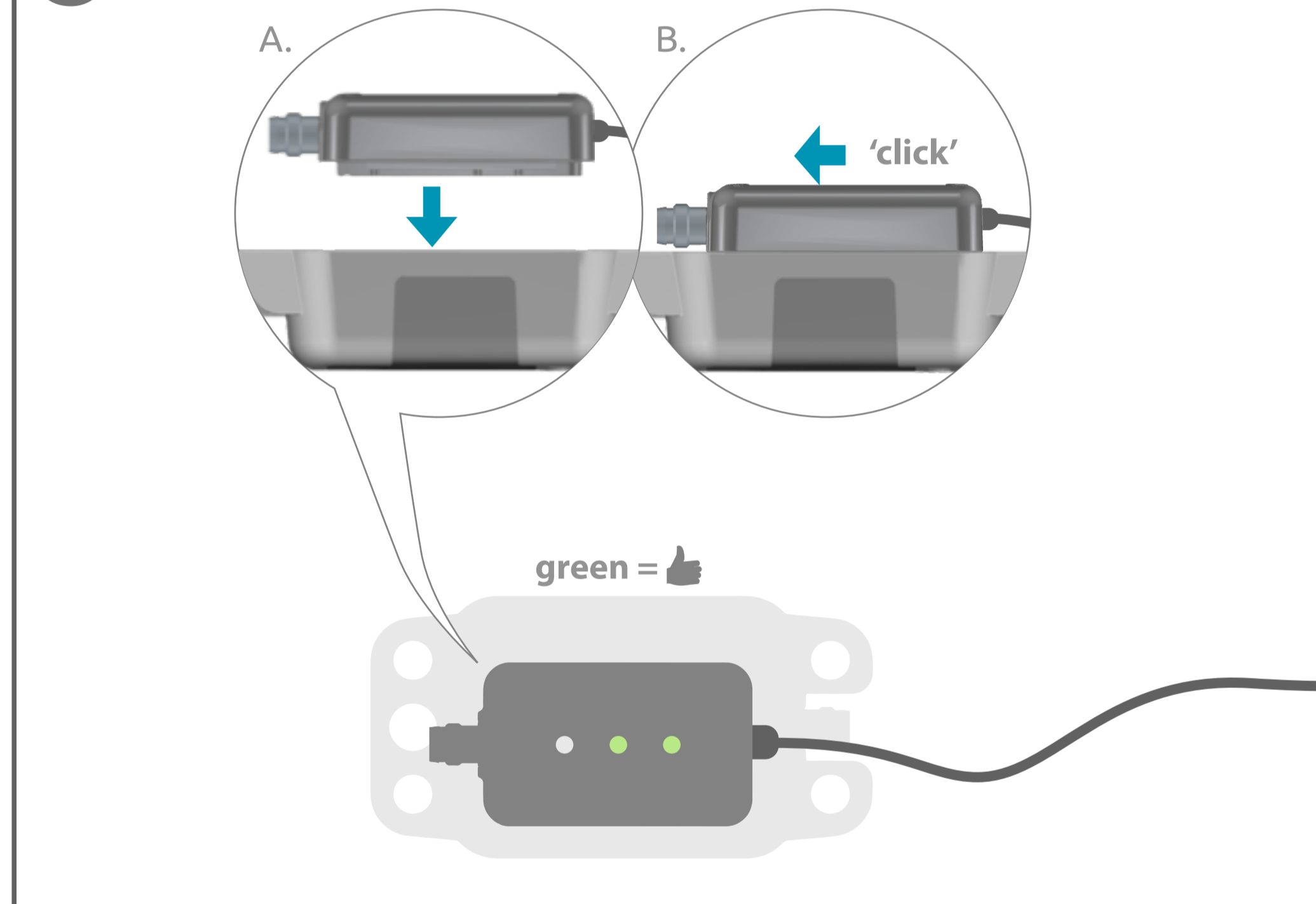
4 Download MYLAPS Connect software*



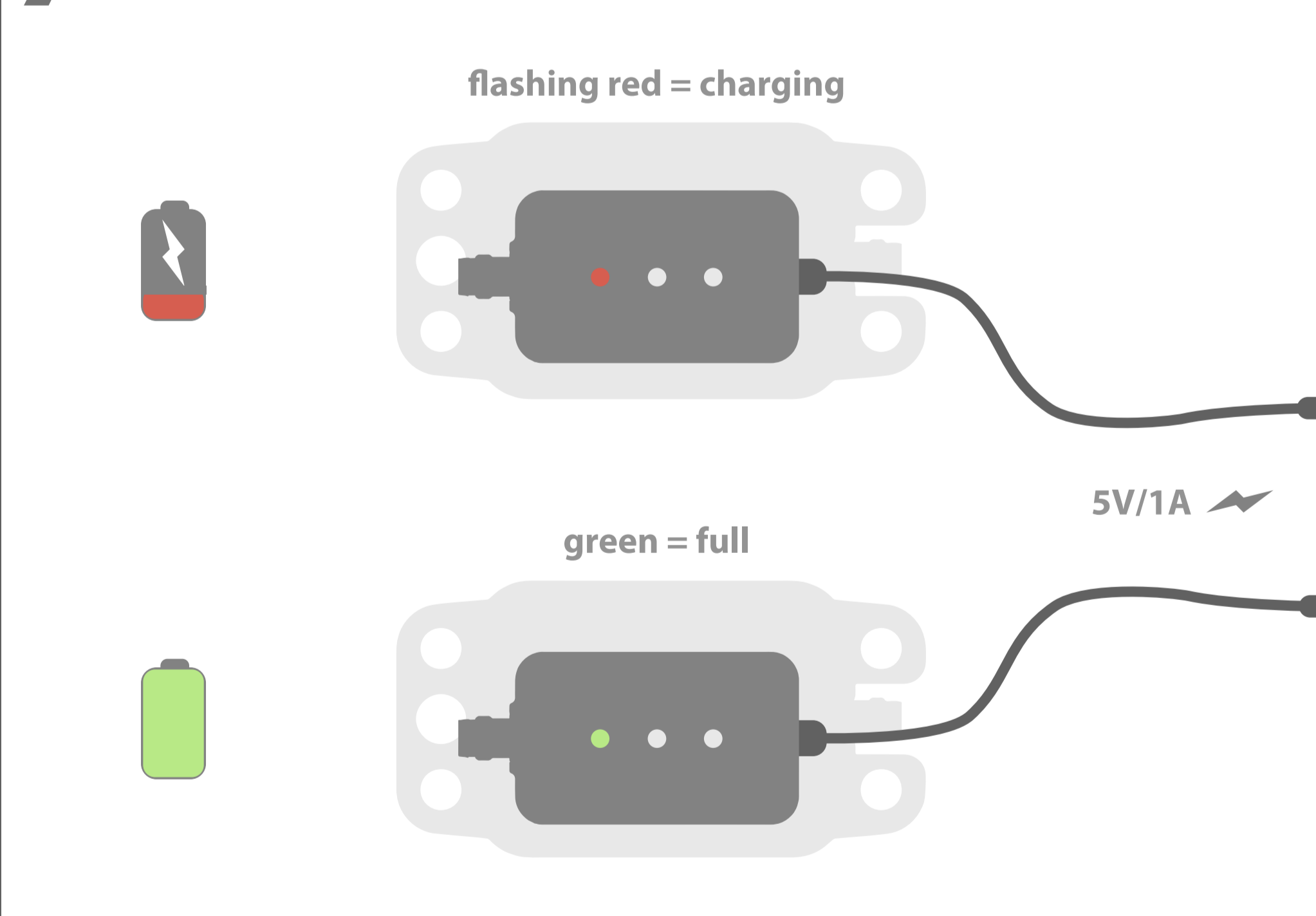
5 Connect X2 RaceKey to computer



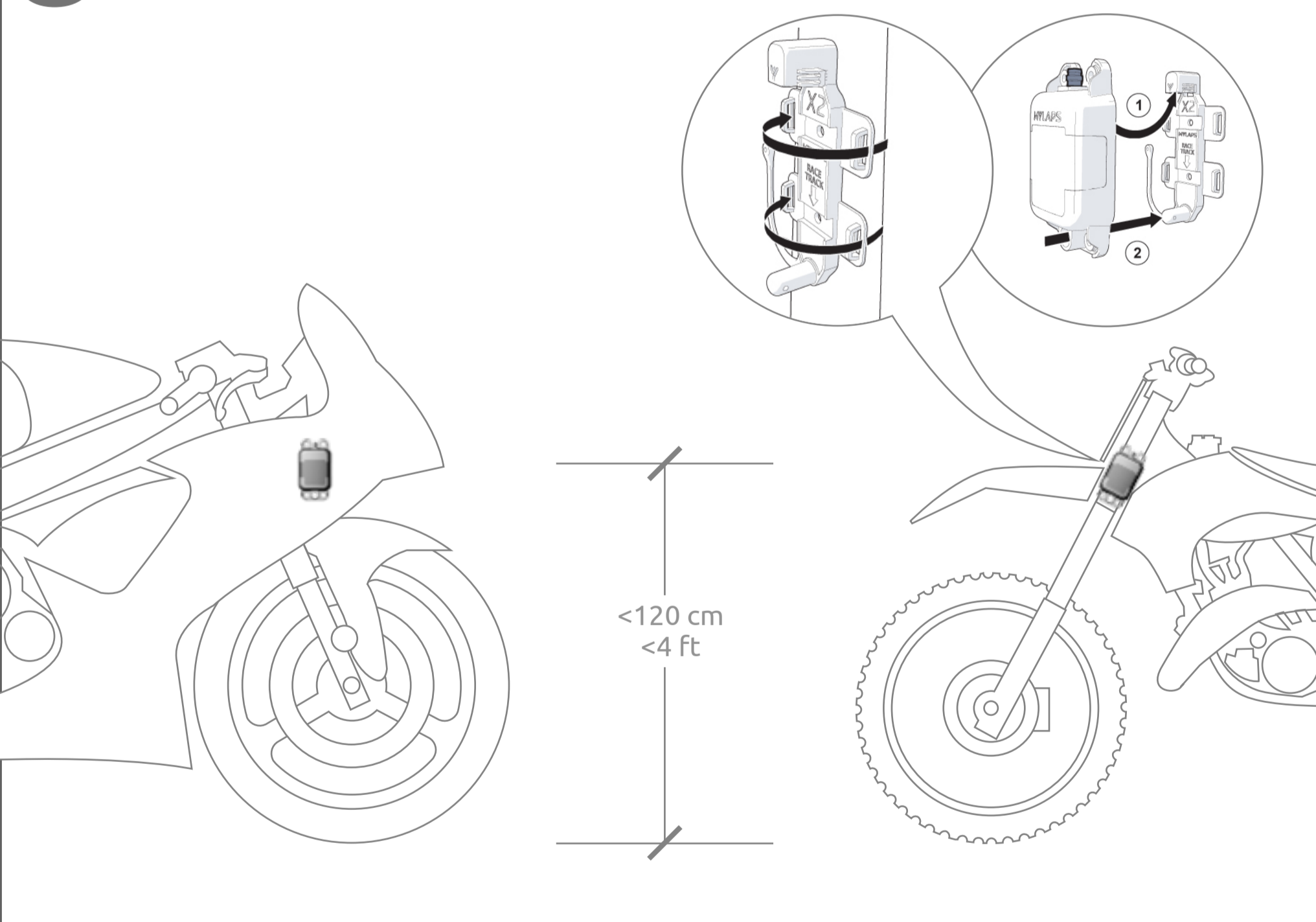
6 Connect X2 RaceKey to Transponder



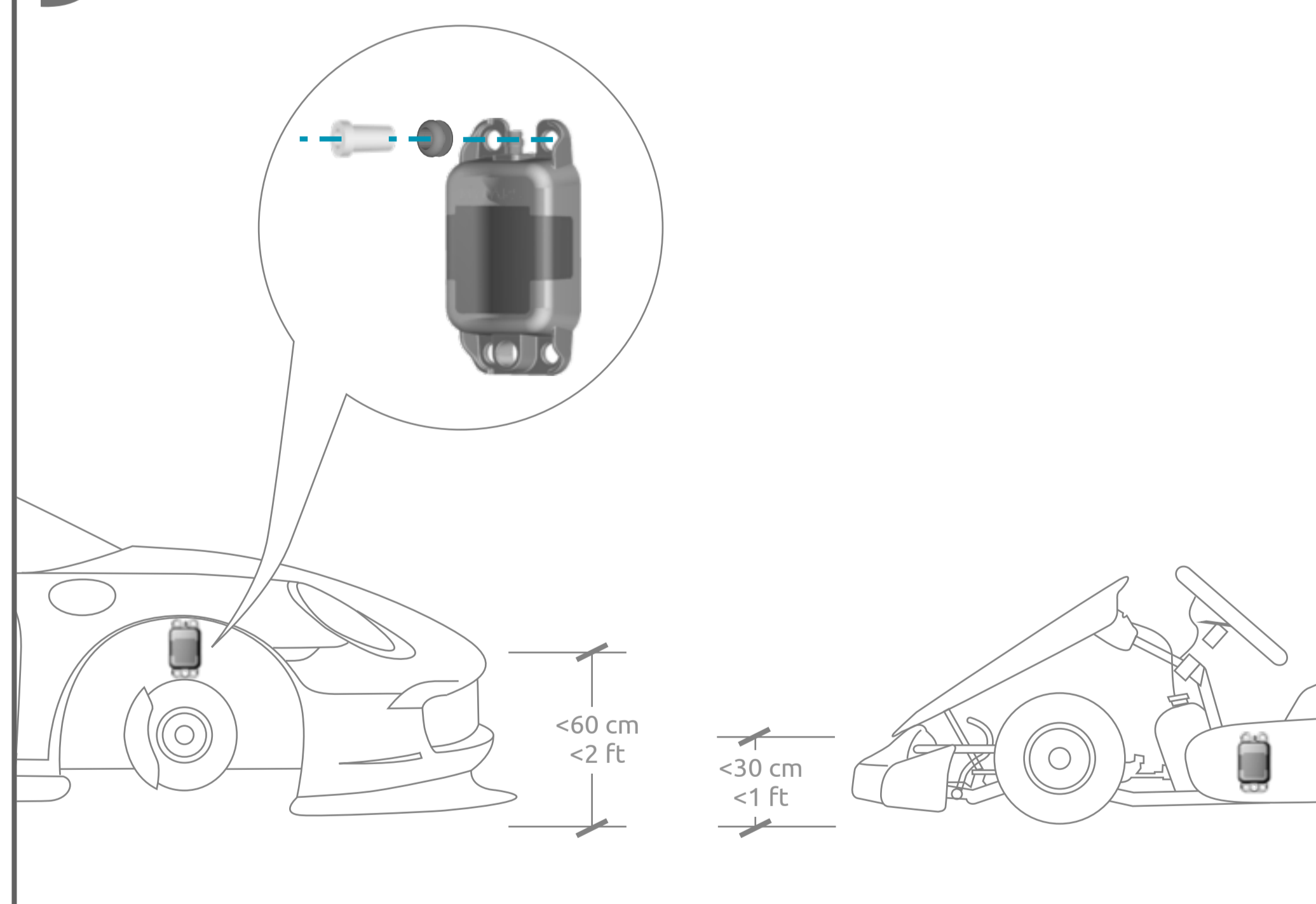
7 Charging Transponder



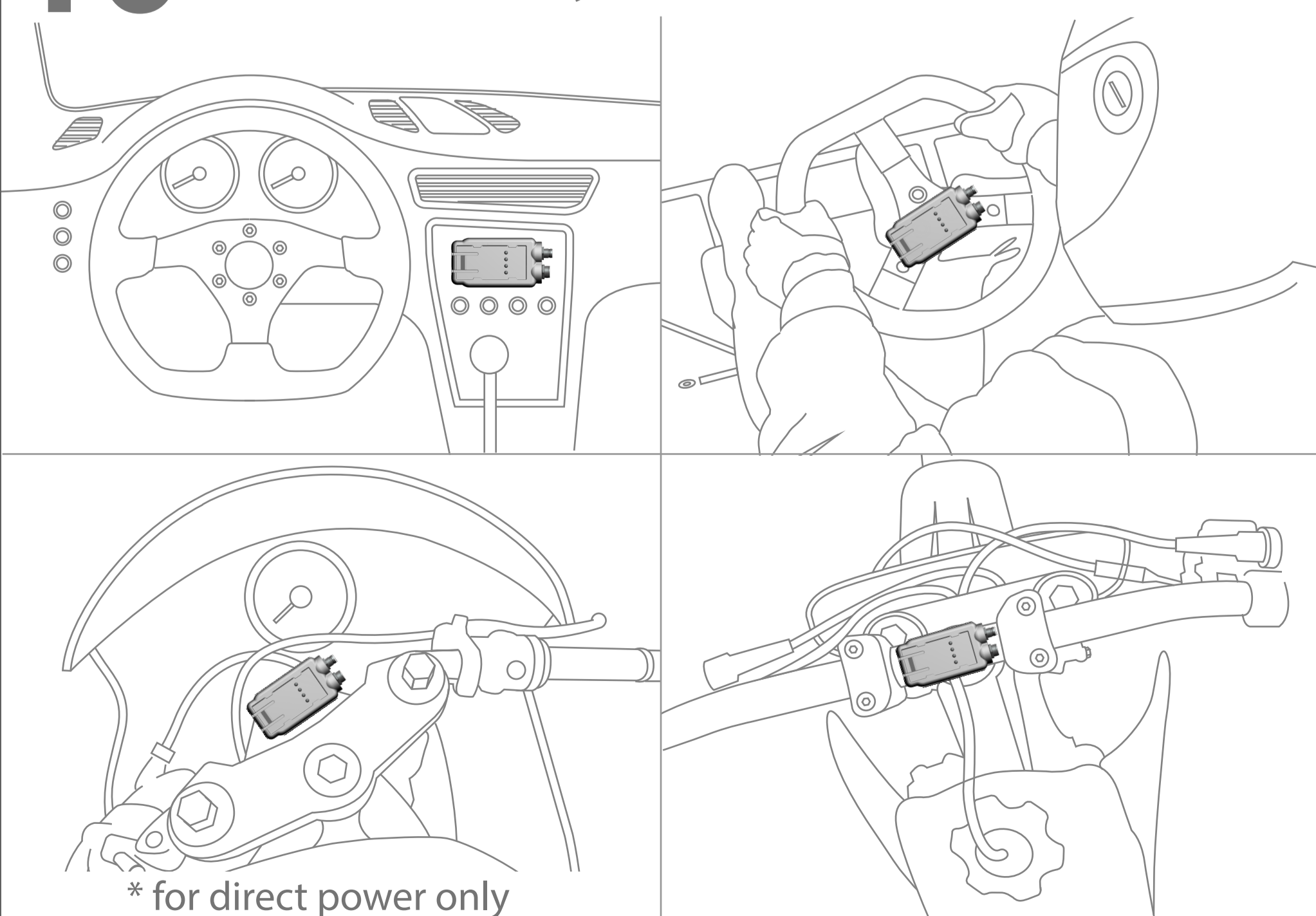
8 Mount Transponder to Bike / MX



9 Mount Transponder Car / Kart



10 Mount RaceKey Mount*



11 Connect RaceKey*

